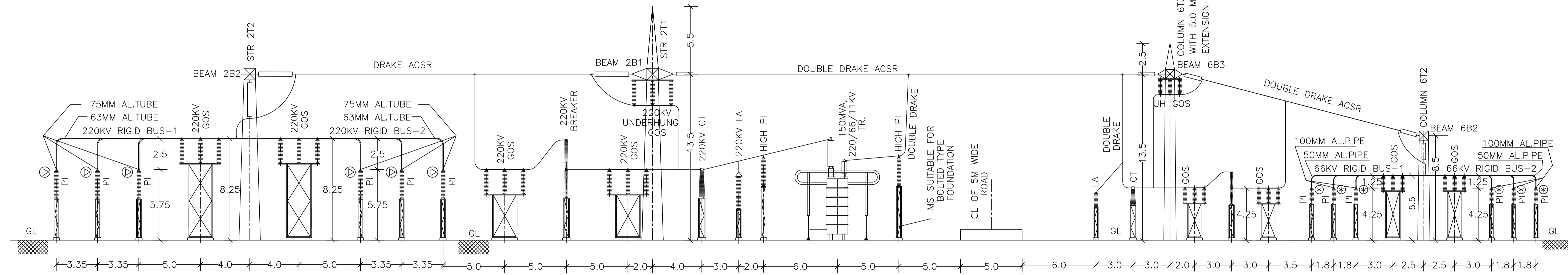
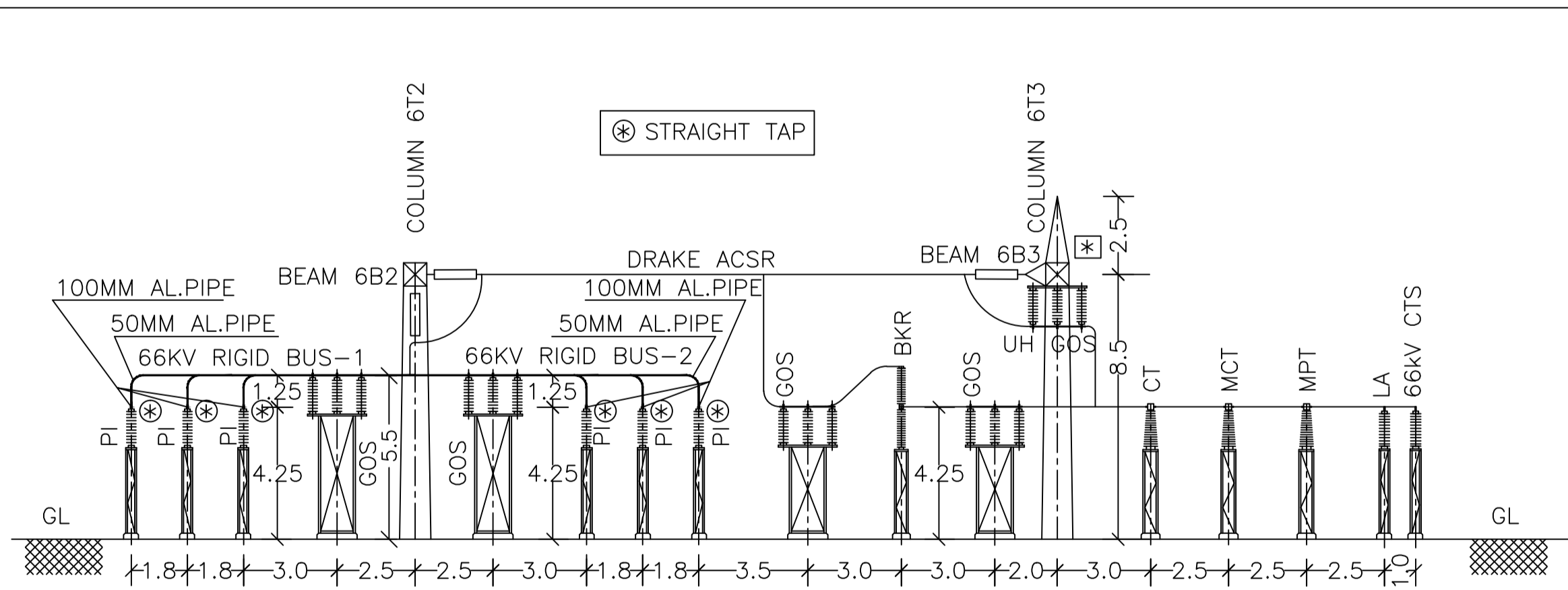


CROSS SECTION THROUGH 220KV LINE BAY

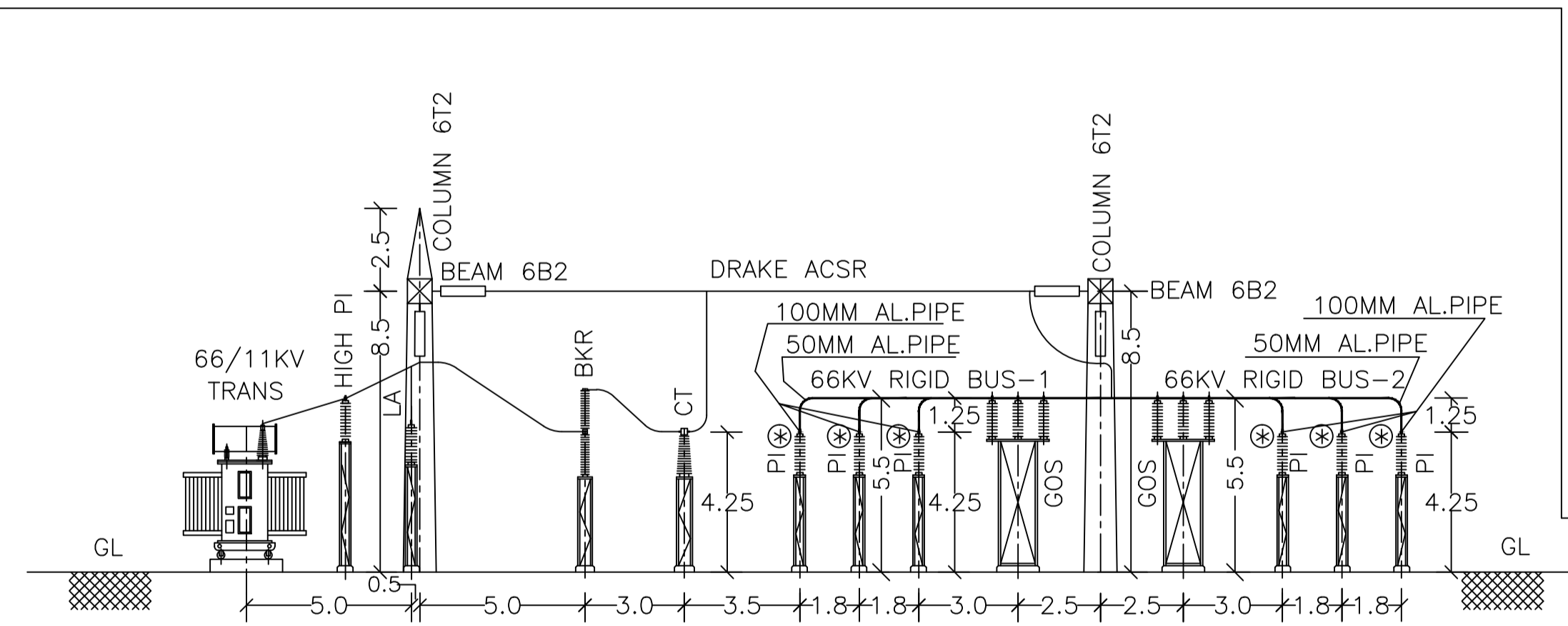
CROSS SECTION THROUGH 220KV BUS COUPLER BAY



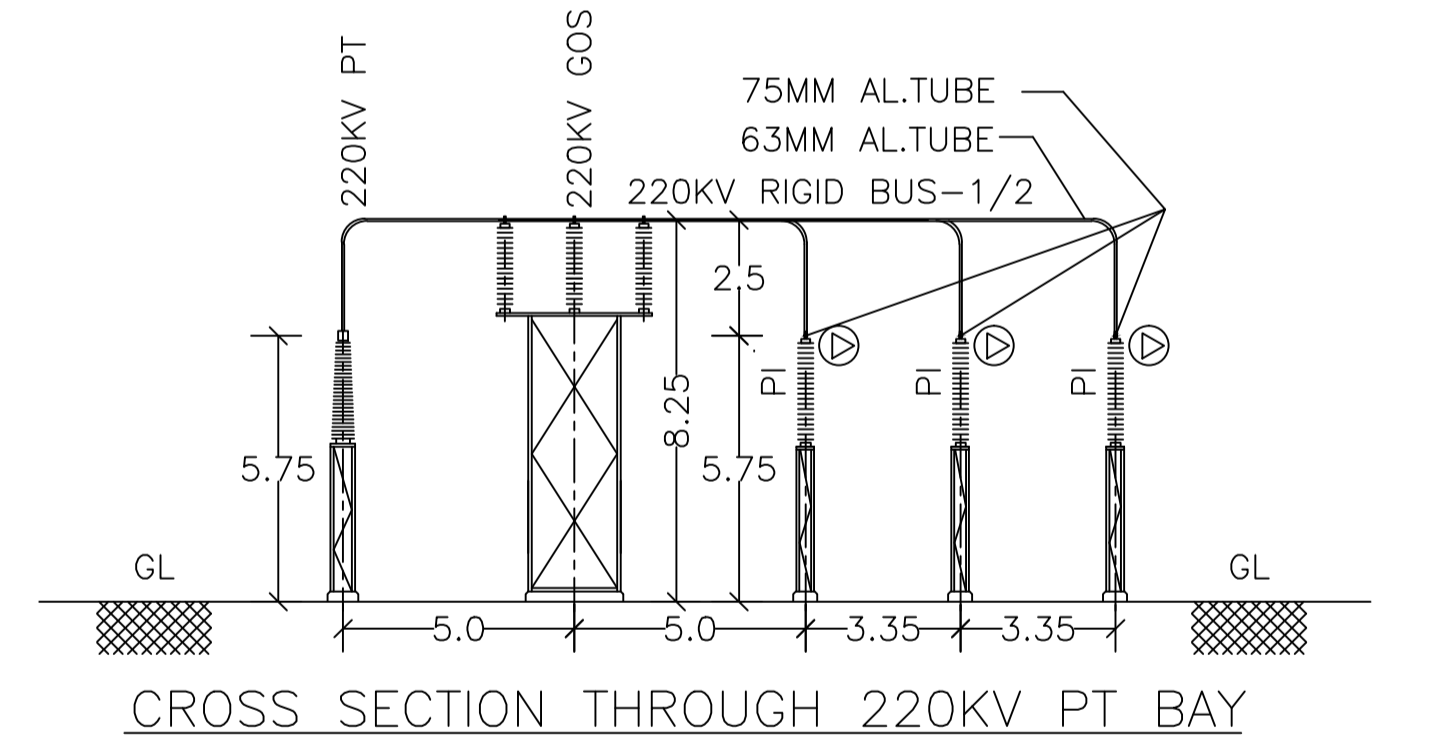
CROSS SECTION THROUGH 150MVA, 220/66KV TRANSFORMER BAY



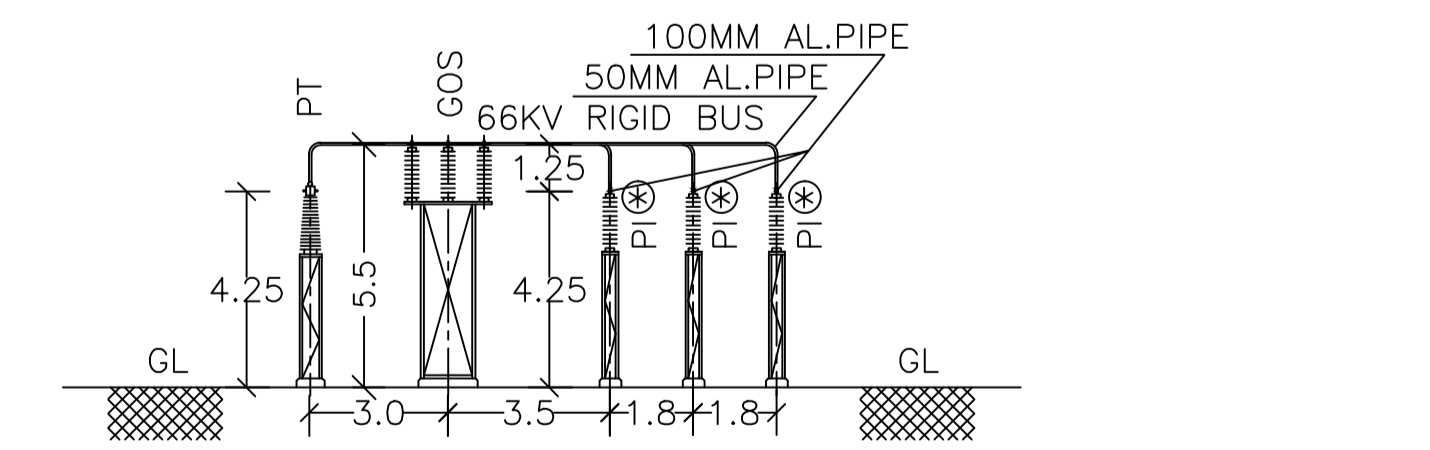
CROSS SECTION THROUGH 66KV LINE BAY



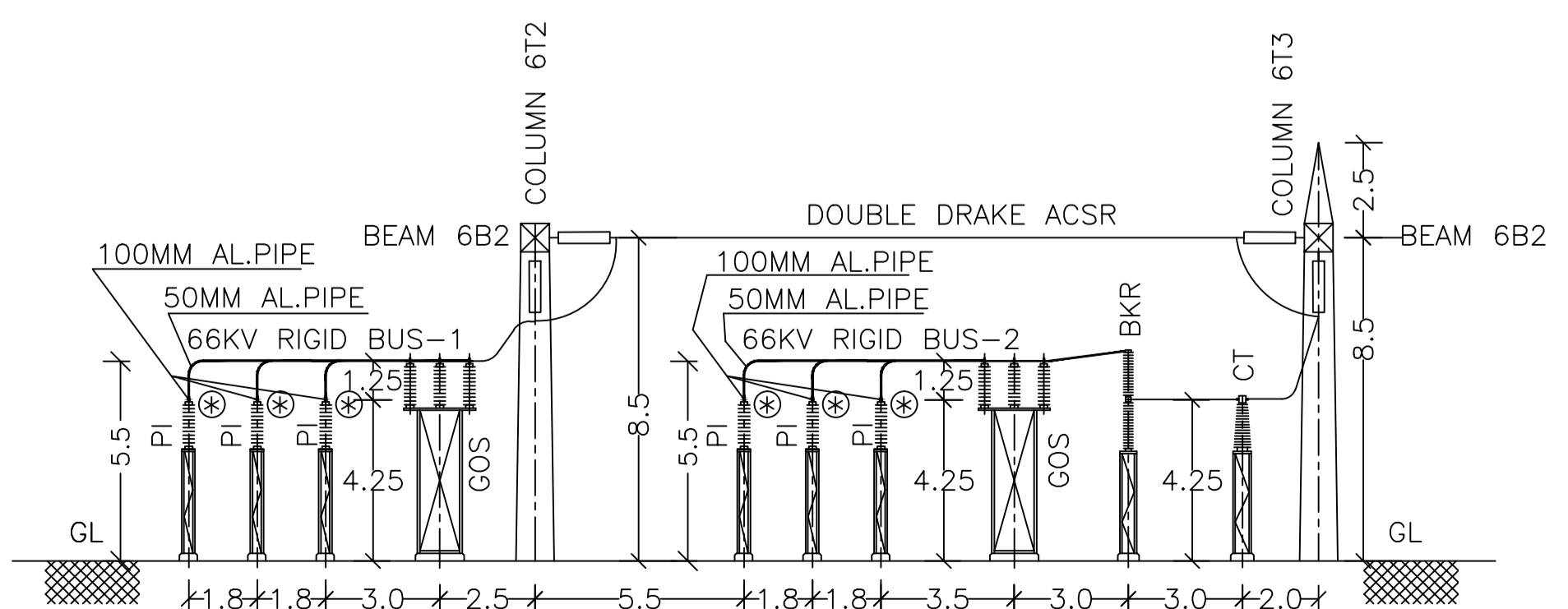
CROSS SECTION THROUGH 66/11KV TRANSFORMER BAY(FUTURE)



CROSS SECTION THROUGH 220KV PT BAY



CROSS SECTION THROUGH 66KV PT BAY



CROSS SECTION THROUGH 66KV BUS COUPLER BAY

NOTE:- ALL DIMENSIONS ARE IN METRES.

KARNATAKA SOLAR POWER DEVELOPMENT CORPORATION LIMITED			
CROSS SECTION THROUGH VARIOUS 220 & 66KV BAYS AT PROPOSED 2X150MVA, 220/66KV SUB STATION AT SOLAR PARK, PAVAGADA USING RIGID TYPE MAIN BUS			
DRG. NO. KREDL/ TECH/ SS-220/SP-5 DATED:- 15.12.2015		SCALE:- N.T.S	
DRN	A.E.E	AGM	GM
	SUB	REC	APPROVED