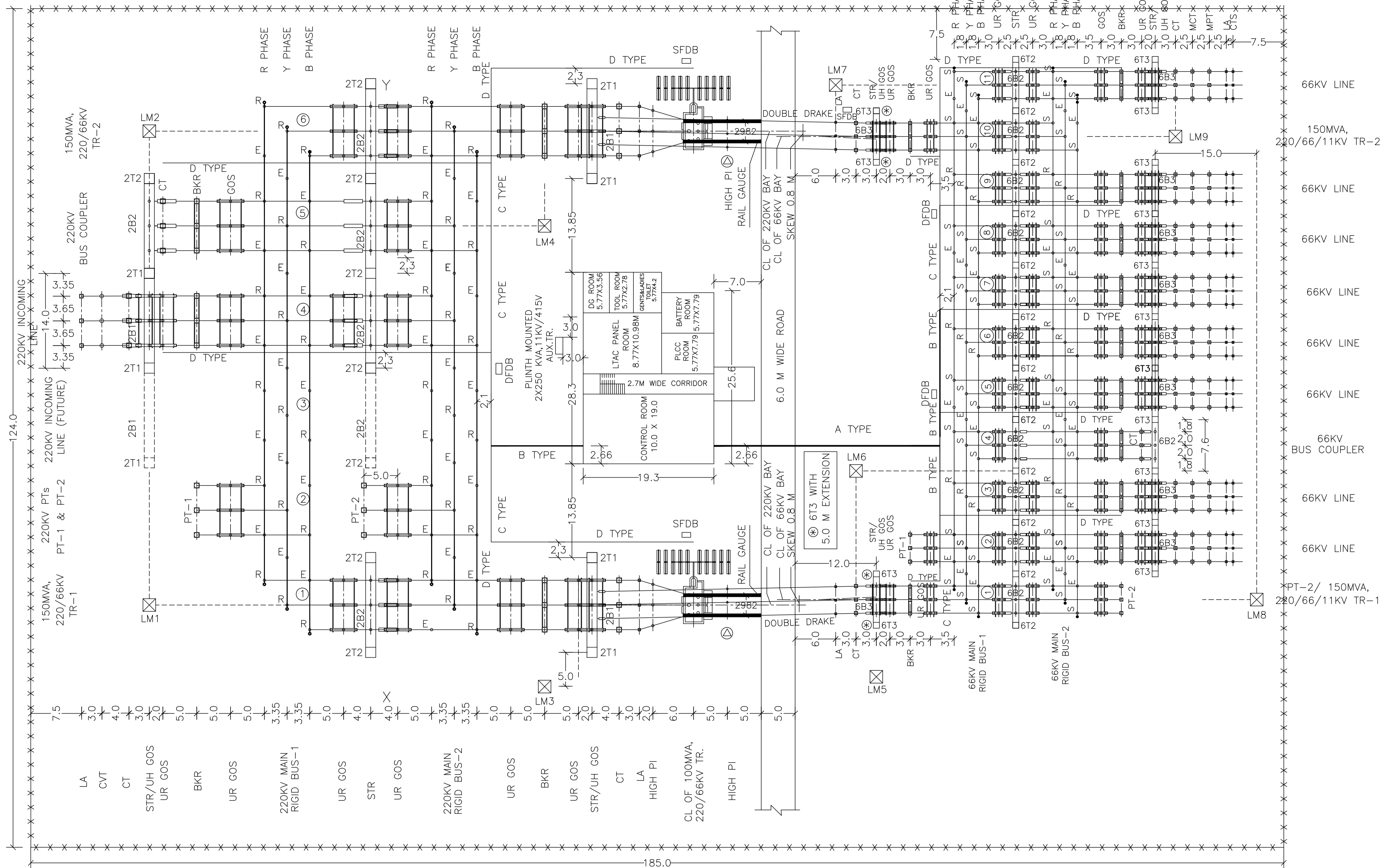


⊕ HIGH PI WITH MOUNTIG STR.
SUITABLE FOR BOLTED
TYPE FOUNDATION



NOTE:-
ALL DIMENSIONS ARE IN METERS

KARNATAKA SOLAR POWER DEVELOPMENT CORPORATION LIMITED			
DETAILED LAYOUT PLAN OF PROPOSED 2X150MVA, 220/66KV SUB STATION AT SOLAR PARK, PAVAGADA			
DRG. NO. KREDL/	TECH/	SS-220/SP-4	DATED:- 15.12.2015
SCALE :- N.T.S.			
DRN	A.E.E	AGM	GM
	SUB	REC	APPROVED