

CUSTOMER - GVP R ENGINEERS LIMITED HYDERABAD

ITEMS - AC DISTRIBUTION BOX (OUT DOOR) SINGLE FRONT TYPE. 6TB

END USER - KARNATAKA POWER TRANSMISSION CORPORATION LIMITED

PROJECT - ESTABLISHING , 220/110/11KV SUBSTATION AT GHATAPRABHA IN BELGAUM DISTRICT

CONSTRUCTION DETAIL : A) THE BOX SHALL BE DUST & VERMIN PROOF EPDM GASKET PROVIDED.

B) LOUVERS SHALL BE PROVIDED WITH FINE WIRE MESH

C) PROVISION SHALL BE MADE FOR EASY ACCESS BUS.

C) WHEREVER ALUMINIUM TO COPPER JOINTS ARE INVOLVED, SUITABLE TIN PLATING SHALL BE DONE TO PREVENT BI-METALLIC ACTION

2.5MM THK. CRCA

GLAND PLATE - 2.5MM THK.

BASE FRAME - C TYPE 100 x 50 x 3MM

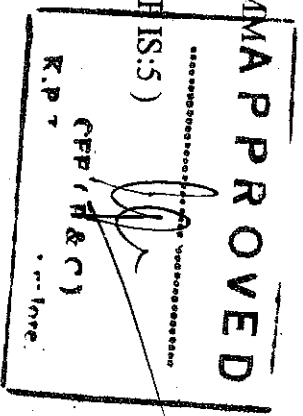
INTERIOR - <sup>stoved enamel</sup> BRILLIANT WHITE

EXTERIOR - LIGHT GREY ( 631 OF IS:5 )

BASE FRAME - BLACK

POWDER COATING

PAINTING METHOD - QUANTITY - 06 Nos.

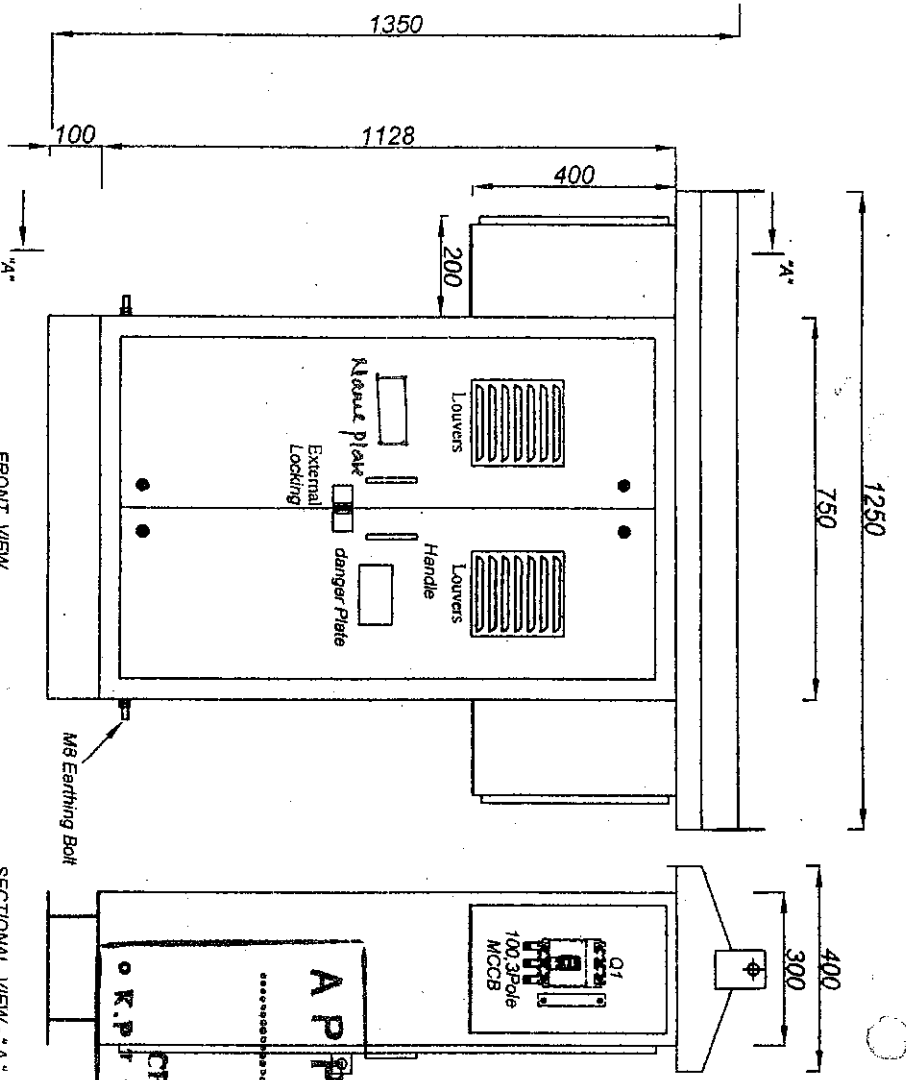


Rev	Alterations	Drawn	Name	Date	Sign	Customer	Projects	Title
01	as per Comments	SRIPATHY	SRIPATHY	30.09.2008	R.S.P.	GVP R ENGINEERS LIMITED HYDERABAD IN BELGAUM DISTRICT	ESTABLISHING 220/110/11KV SS GHATAPRABHA	OOA FOR 41SV AC DISTRIBUTION BOX (OUTDOOR, SINGLE FRONT TYPE).
1								

Mrs. KHODAY CONTROL SYSTEMS PVT. LTD.  
B-187 5th MAIN, P/E  
PEENYA 2ND STAGE, BANGALORE-56

PO No.: GVPREL/KPTCL-SS08-09/021  
Dwg No. - KCSS-P241-05/MS  
Sheet No. - 01/01  
Scale - N.T.S.

Rev. 01

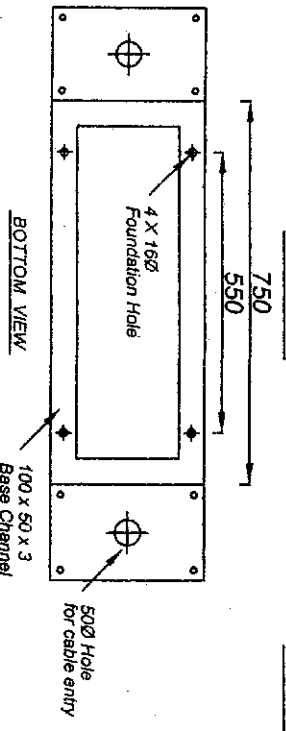


**APPROVED**

O.K.P. (Director)

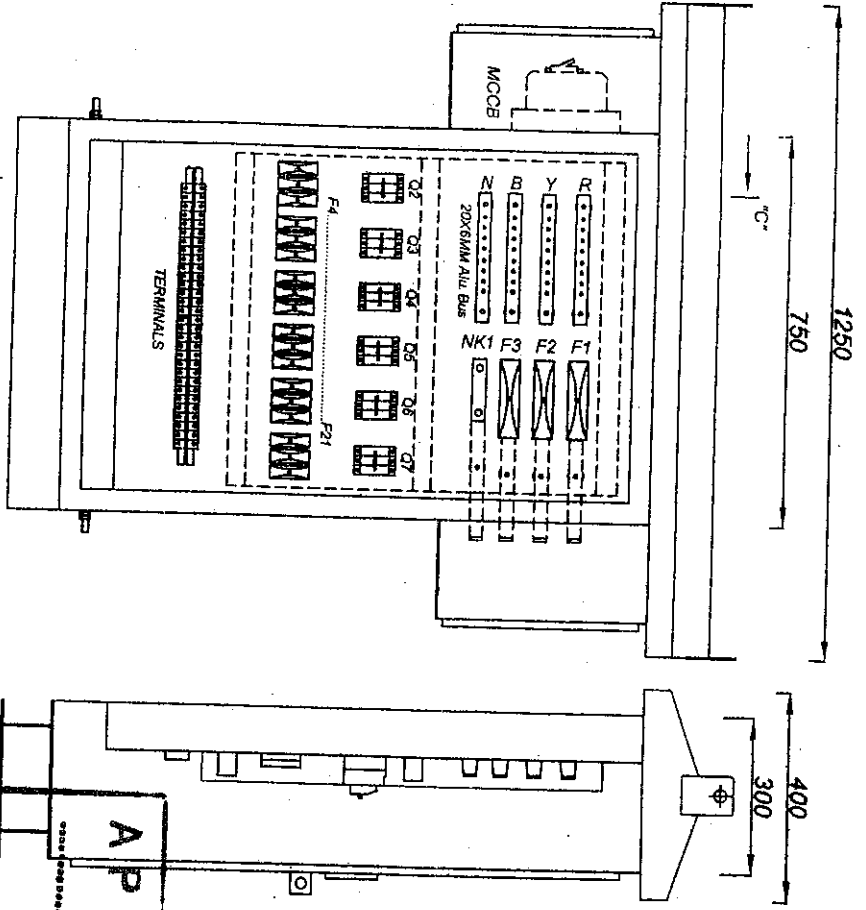
CPRE (DCC)

Date: \_\_\_\_\_



Note : All Dimensions are in mm.

Rev	Alterations	1	2	3	4	5	6	7	8
01	As per Comments	Drawn	Name	Date	Sign	Customer	Projects	PO No. : (SV)REL/KPTCL-SS/08-09/021 Dtg No. - KCS-P241-08/0GA Sheet No. - 02/01 Scale - N.T.S.	
		SHIVAPPA.H	SHIVAPPA.H	30.09.2008	S.H.	GYPK ENGINEERS LIMITED HYDERABAD	ESTABLISHING - 220/110/1KV/S/S GHATAPRADEHA IN BELGALUM DISTRICT	Mrs. KHODAY CONTROL SYSTEMS PVT. LTD. B-187, 5th MAIN, PLE, PEEENVA 2nd STAGE, BANGALORE -58	Rev: 01
		SIRIPATHY	SIRIPATHY	30.09.2008	E.S.C	GDA FOR 416V AC DISTRIBUTION BOX (OUTDOOR, SINGLE FRONT TYPE)			



SECTIONAL VIEW KOP

**APPROVED**

CPP / *[Signature]* / *[Date]*

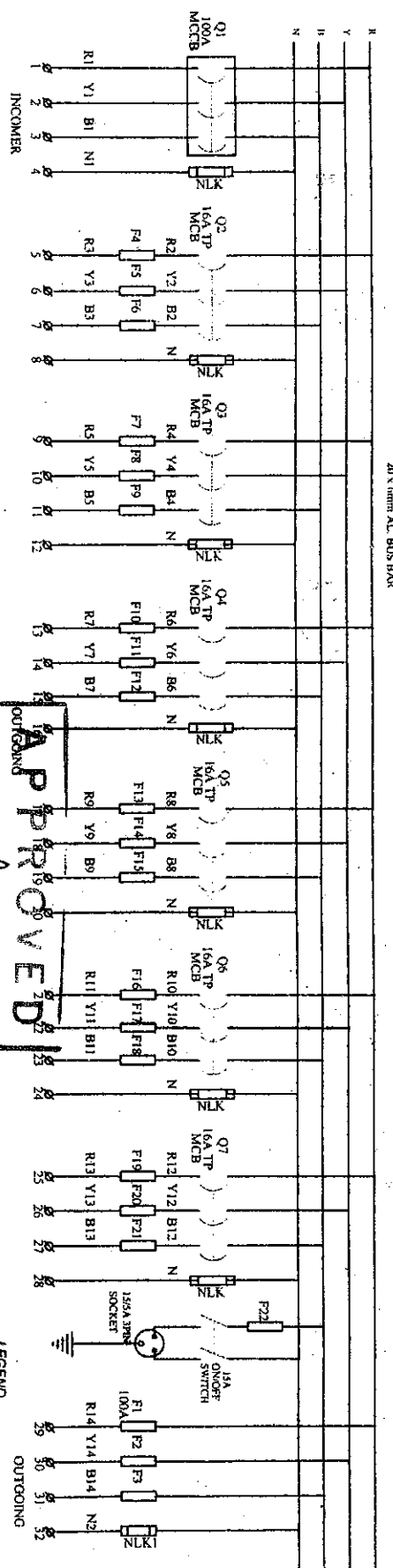
BILL OF MATERIAL

Sl No.	Description	Make	Qty.
1	100 Amps, 3Pole, 31.5KA F. MCCB	MG/C&S	01 No.
2	16A TP MCB	Protect / Bantec/IK	06 Nos.
3	100A fuse base with 100A HRC fuse link	GE/Indoasian	03 Nos.
4	16A fuse base with 10A HRC fuse link	GE/Indoasian	19 Nos.
5	240V, 5A/5A Multi pin Plug & socket	Reputed	01 No.
6	240V, 15A, 2Pole ON/OFF Toggle Switch	Kaycee	01 No.
7	Terminal Block	Connectwell	36 Nos.
8	20 x 6mm Al. Busbar for Phase & Neutral	-	1 Lot
9	Earth Bus 25 x 6mm Alu.	-	1 Lot
10	Busbar Support	Reputed	As Req.
11	PVC Insulated Copper Wire	ISI Marked	As Req.
12	23mm Door Lock	Reputed	As Req.

Note : All Dimensions are in mm.

01	as per Comments	Drawn	SHIVA/PA.H	30.08.2008	S.H	Customer	GVPR ENGINEERS LIMITED HYDERABAD	PO No. GVPREL/KPTOL-SS/08-08/021
Rev	Alterations	Chd.	SRIPATHY	30.08.2008	R.S.P	Projects	ESTABLISHING 220/10/1KV S/S GAJATAPURBA IN BELGALU DISTRICT.	Dwg No. - KCS-P241-0806A
						Title	OGA FOR 415V AC DISTRIBUTION BOX (OUTDOOR, SINGLE FRONT TYPE)	Sheet No. - 02/02
								Scale - N.T.S.
								Rev. 01

Mrs. KHODAY CONTROL SYSTEMS PVT. LTD.  
B-187, 5th MAIN, P/E,  
PEENYA 2nd STAGE, BANGALORE -56



**APPROVED**

K.P. CPT

**LEGEND**

- Q1 100A, 3pole, 415V MCCB 31.5KA /1Sec
- Q2-Q8 16A TP MCB 31.5 KA/1 Sec.
- NLK Neutral Link
- F1-F3 100A HRC fuse base with link
- F4-F21 16A HRC fuse base 10A fuse link

Note : All Dimensions are in mm.

Rev	Alterations	1	2	3	4	5	6	7	8	
01	As per Comments	Drawn SHIVAPPA.H	Date 30.08.2008	Sign S.H	Customer Projects ESTABLISHING: 220/110/11KV S/S GHATAAPPAHVA IN BELGAUM DISTRICT	Mrs. KHODAY CONTROL SYSTEMS PVT. LTD. B-187, 6th MAIN, P/E, PEENYA 2nd STAGE, BANGALORE -56	PO No: GVPREL KP/TCL-SS/08-09/021	DRG No. - KGS-P241 -05/SC	Sheet No. - 01/01	Rev -01
		SRIPATHY	30.08.2008	R.S.P	SCHEMATIC FOR 415V AC DISTRIBUTION BOX OUTDOOR SINGLE FRONT TYPE					