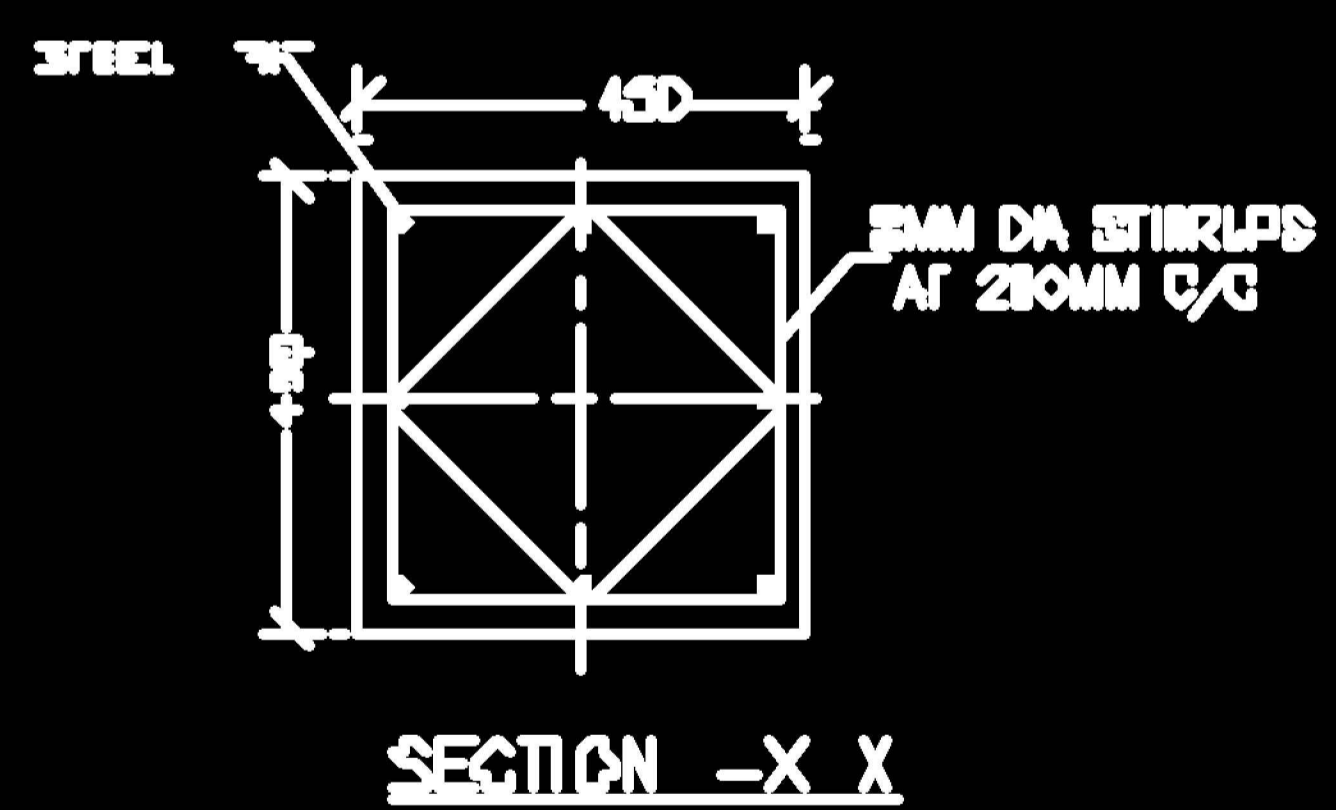
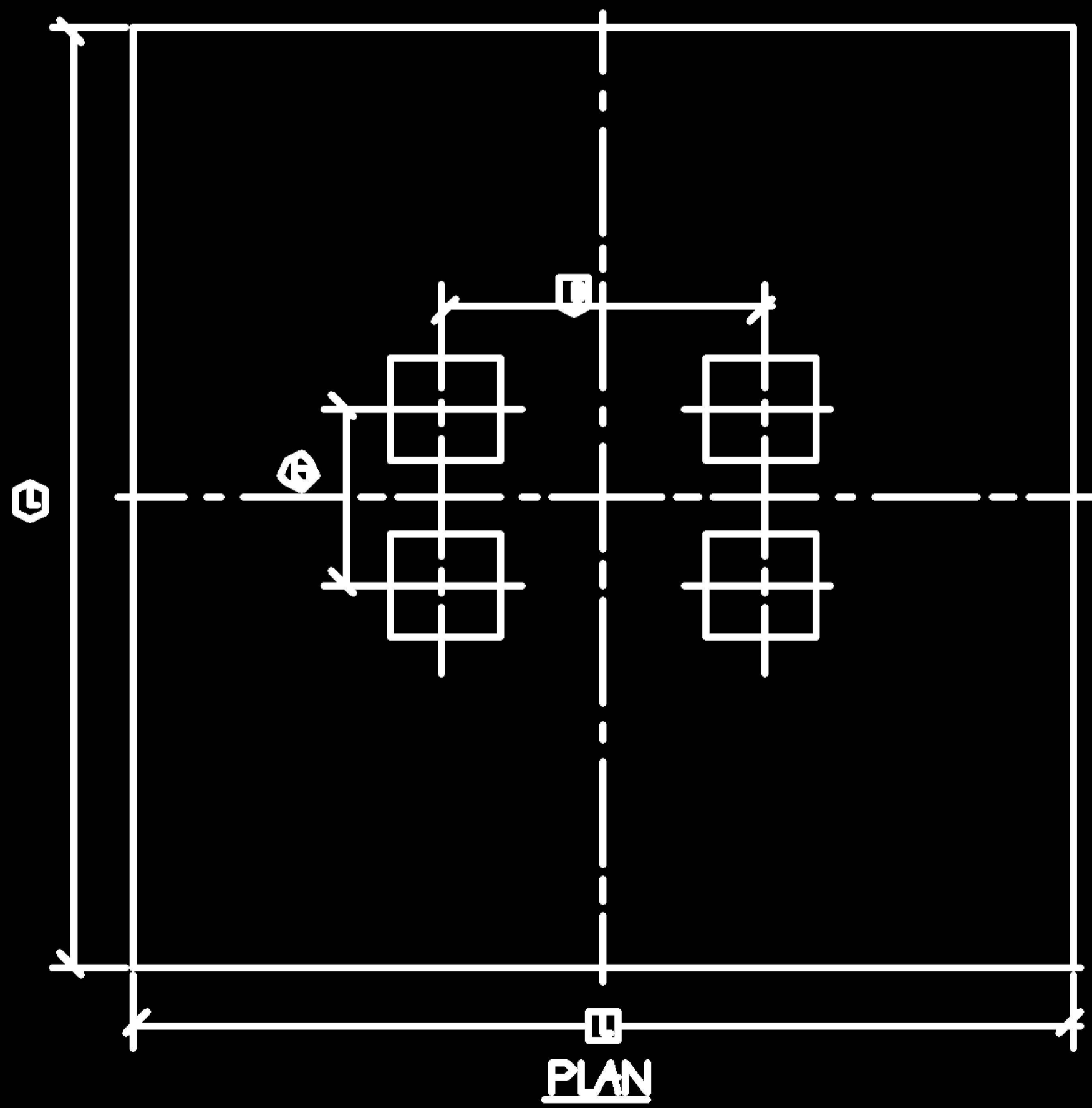


SL NO	TOWER TYPE	B	D	REINFORCEMENT		C
				STEEL 'X'	L	
1	2T1, 2T2	7500MM	7500MM	4 NOS OF 18MM DIA TOR	4000MM	450
2	1T1, 1T2	1000MM	1000MM	4 NOS OF 18MM DIA TOR	3000MM	450
3	BT2 BT3	1350MM	1350MM	4 NOS OF 18MM DIA TOR	4000MM	450
		750MM	750MM			
4	BT2 + 5MTR EXPOSED	1350MM	750MM	8 NOS OF 18MM DIA TOR	4000MM	450
5	LIGHTNING MAST	7500MM	1500MM	8 NOS OF 18MM DIA TOR	2750MM	450



NOTES:

1. ALL DIMENSIONS ARE IN MMS UNLESS OTHERWISE SPECIFIED.
2. DON'T SCALE! THIS DRG. FOLLOW ONLY THE WRITTEN DIMENSIONS.
3. ALL STRUCTURAL CONCRETE SHALL BE OF M20 GRADE.
4. THIS DRG MAY BE ADOPTED WHEN THE DEPTH OF FILLING BELOW FGL IS UP TO 1.0MTRS ONLY. FOR GREATER DEPTHS OF FILLING APPROVAL OF DEEP-FCI SHALL BE OBTAINED AS PER SITE CONDITIONS.
5. ALL STRUCTURAL STEEL SHALL BE OF Fe 415 GRADE.

KARNATAKA POWER TRANSMISSION CORPN LTD					
FOUNDATION DETAILS FOR 220-110-80KV STATION TOWERS					
DRG NO: CEE (P & C) / SE (VII) / DG-07 / 200410-06 / 002					
DATE: 18/10/04					
DATE	BY	CHKD	APPD	SCALE	PLANNING
					COORDINATION